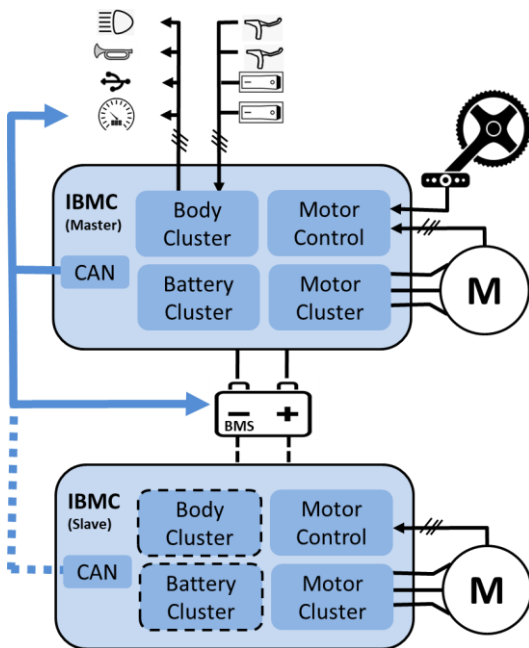
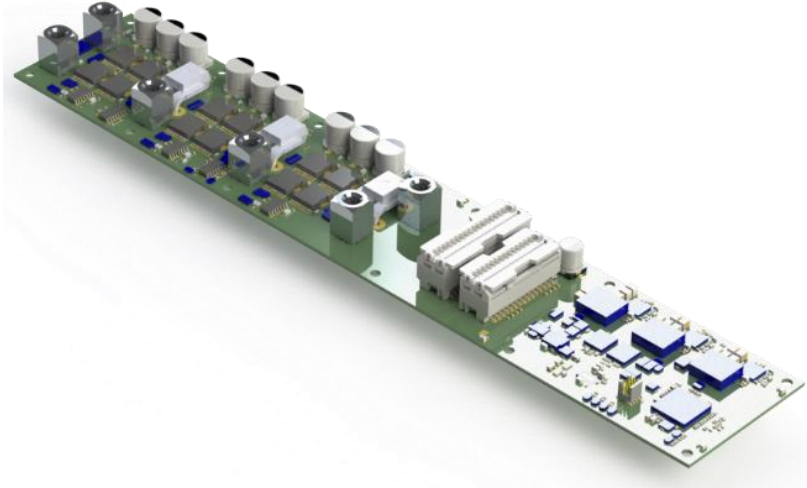


IBMC 48V140A1



- Unique, 48V based system solution for light electric vehicles incl. S-Pedelecs, E-cargo bikes E-mopeds (L1e,L3e)
- Integration of power electronic and body control functionality in a single control unit
- Control of multiple motor types incl. PMSM, TFM and BLDC.
- 48V, 140A rms peak (10sec), 7kVA peak power
- FOC with field weakening
- Up to 98% efficiency
- Easy motor adaptation and optimization with full motor mapping support (e.g. MTPA, MTPS)
- Master/slaves configuration for multiple motors
- 5 drive modes, quick customization available
- Protection, diagnostic and safety functions
- Communication with BMS for range estimation and battery supervision
- Outputs for lights, horn etc. (12V,5V)
- Inputs for switches, torque sensor, brake, sensors etc.
- IP65, 650g, dimensions(LxWxH): 403x62x27 mm
- Product status: In production

For more information please contact:
Mr. Stefan Dosch
Mobile: +49 173 5766902
E-mail: stefan.dosch@ideasandmotion.com