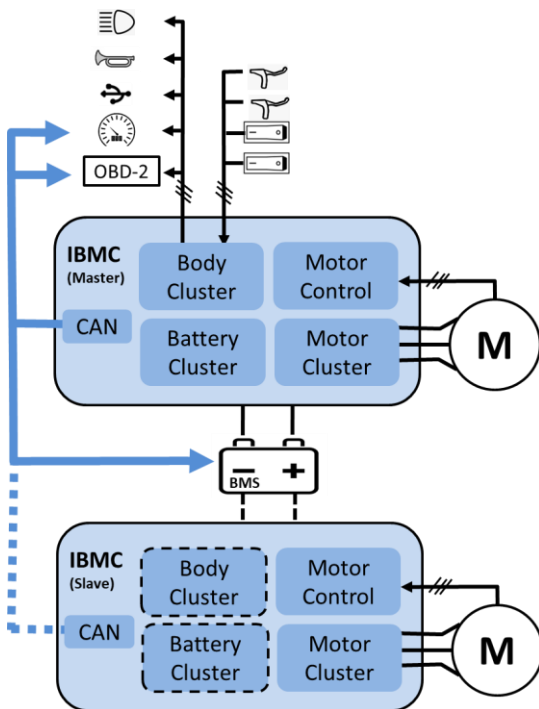


IBMC 48V600A1



For more information please contact:
Mr. Stefan Dosch
Mobile: +49 173 5766902
E-mail: stefan.dosch@ideasandmotion.com

- Unique, 48V based system solution for light electric vehicles incl. E-mopeds, E-motorbikes, E-vehicles (L3e-L6e)
- Control of multiple motor types incl. PMSM, TFM and BLDC.
- 48V, 600A rms peak (10sec), 15kVA peak power
- FOC with field weakening
- Up to 98% efficiency
- Easy motor adaptation and optimization with full motor mapping support (e.g. MTPA, MTPS)
- 3 drive modes, quick customization available
- Master/slaves configuration for multiple motors
- Integrated body controller with outputs for lights, horn etc. (12V,5V) and inputs for switches, brake, sensors etc.
- Onboard diagnostic functionality integrated (OBD-2)
- Communication with BMS for range estimation and battery supervision
- Protection, diagnostic and safety functions
- IP67, 1.100g, dimensions(LxWxH): 250x115x44mm
- Product status: Prototypes