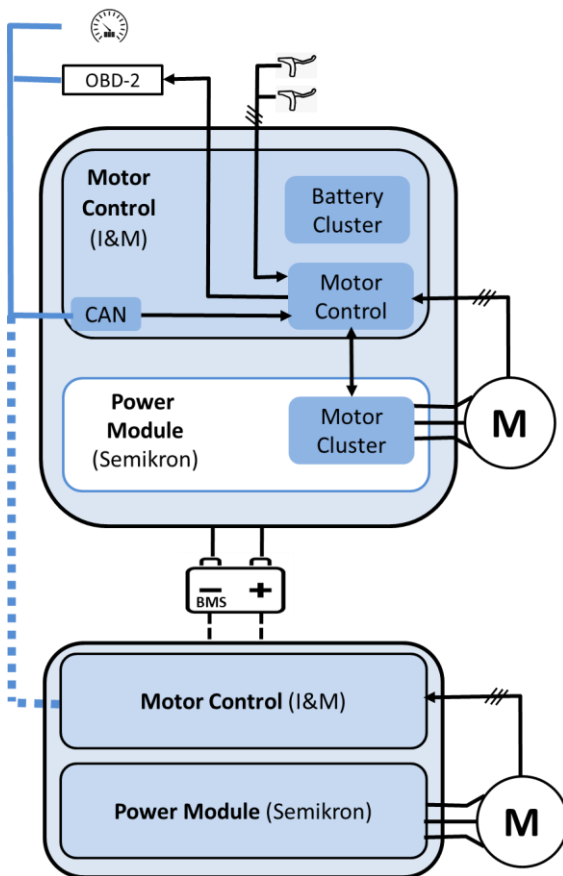


MC 96V600A1



- 96V based system solution for light electric vehicles incl. E-mopeds, E-motorbike, E-vehicle (L3e-L6e)
- I&M control board and SW
- Power module: Semikron SKAI3LV. 96V, 600A rms peak (10sec), 67kVA peak power
- Control of multiple motor types incl. PMSM, TFM and BLDC.
- FOC with field weakening
- Up to 98% efficiency
- Easy motor adaptation and optimization with full motor mapping support (e.g. MTPA, MTPS)
- Master/slaves configuration for multiple motors
- Multiple drive modes, quick customization available
- Protection, diagnostic functions
- Onboard diagnostic function integrated (OBD-2)
- Communication with BMS for range estimation and battery supervision
- IP66, 2kg, dimensions(LxWxH): 140x150x80mm
- Product status: Prototypes from October 2023

For more information please contact:
Mr. Stefan Dosch
Mobile: +49 173 5766902
E-mail: stefan.dosch@ideasandmotion.com